

# AUTO ROLLING SHUTTER (Medium Duty)

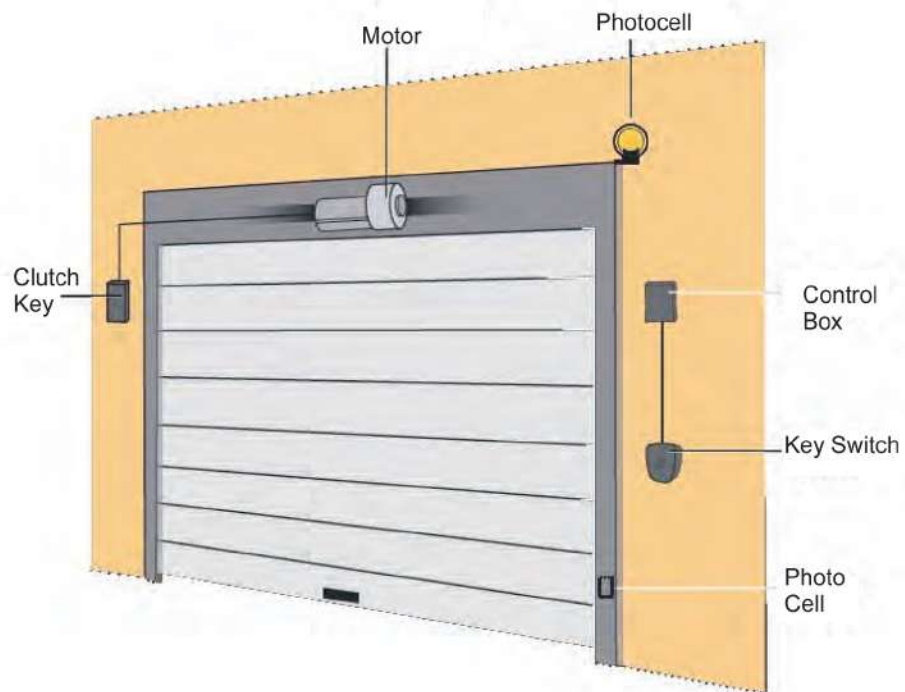
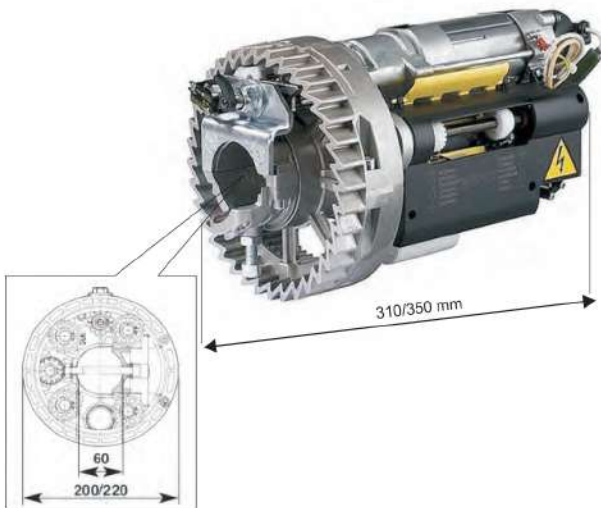
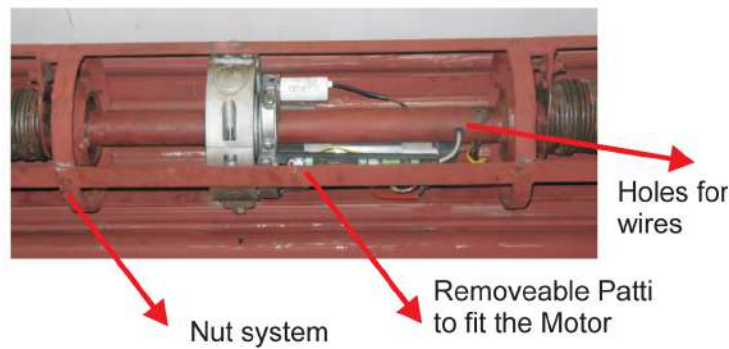


## Features

Motor Not Visible / Use Safety Spring / Manual Operation all Time  
 Thermal Protection / Buitin in Speed reducer / Limit Switch  
 Digital Lock Remote Control / Electro Magnetic Lock (Optional)

## Applications

Rolling Shutters used in Residence / Apartments / Shops  
 Godowns / Hotels / Banks etc upto 200 Sq feet ( 280 Kgs)



## Technical parameters

Model	Door Wt/kg	Door Height	Voltage	Load	RPM	SHAFT DIA	SPRING SYTEM DIA	Manual Operation
SP ACM CM 180	180	3 Mt	230 V	400W	10	60 mm	200~220 mm	By Hand
SP ACM CM 280	280	5Mt	230 V	800 W	10	60 mm	200~220 mm	By Hand